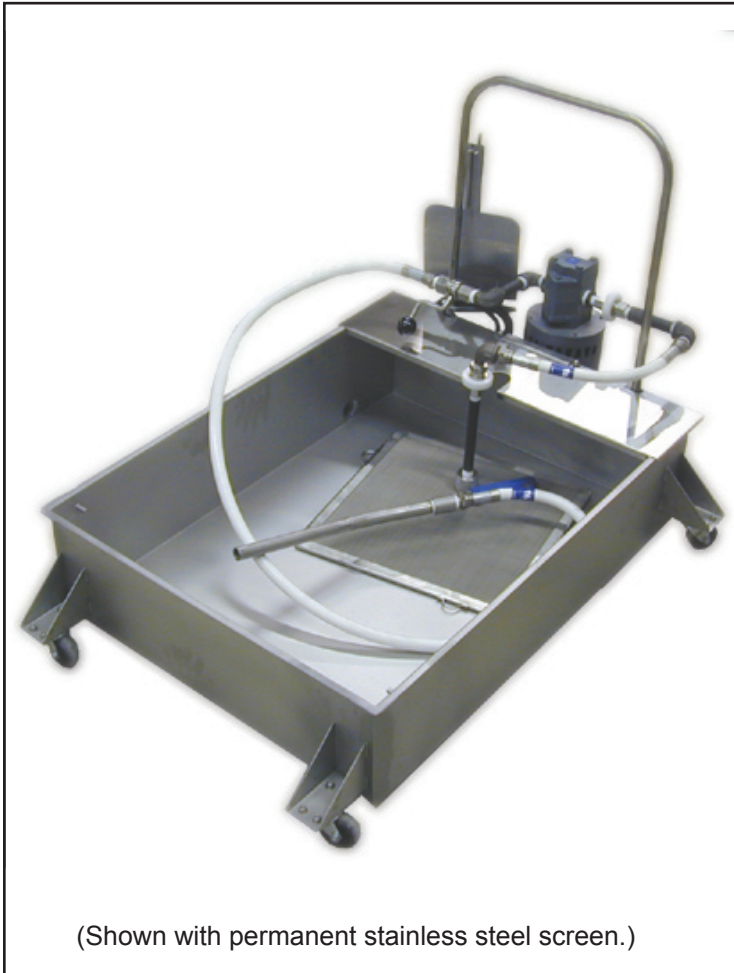




**Ultrafryer Systems, Inc.**  
*FM-99*  
*Portable Filter Machine*

Project \_\_\_\_\_  
Item \_\_\_\_\_  
Quantity \_\_\_\_\_  
Approval \_\_\_\_\_  
Date \_\_\_\_\_



(Shown with permanent stainless steel screen.)

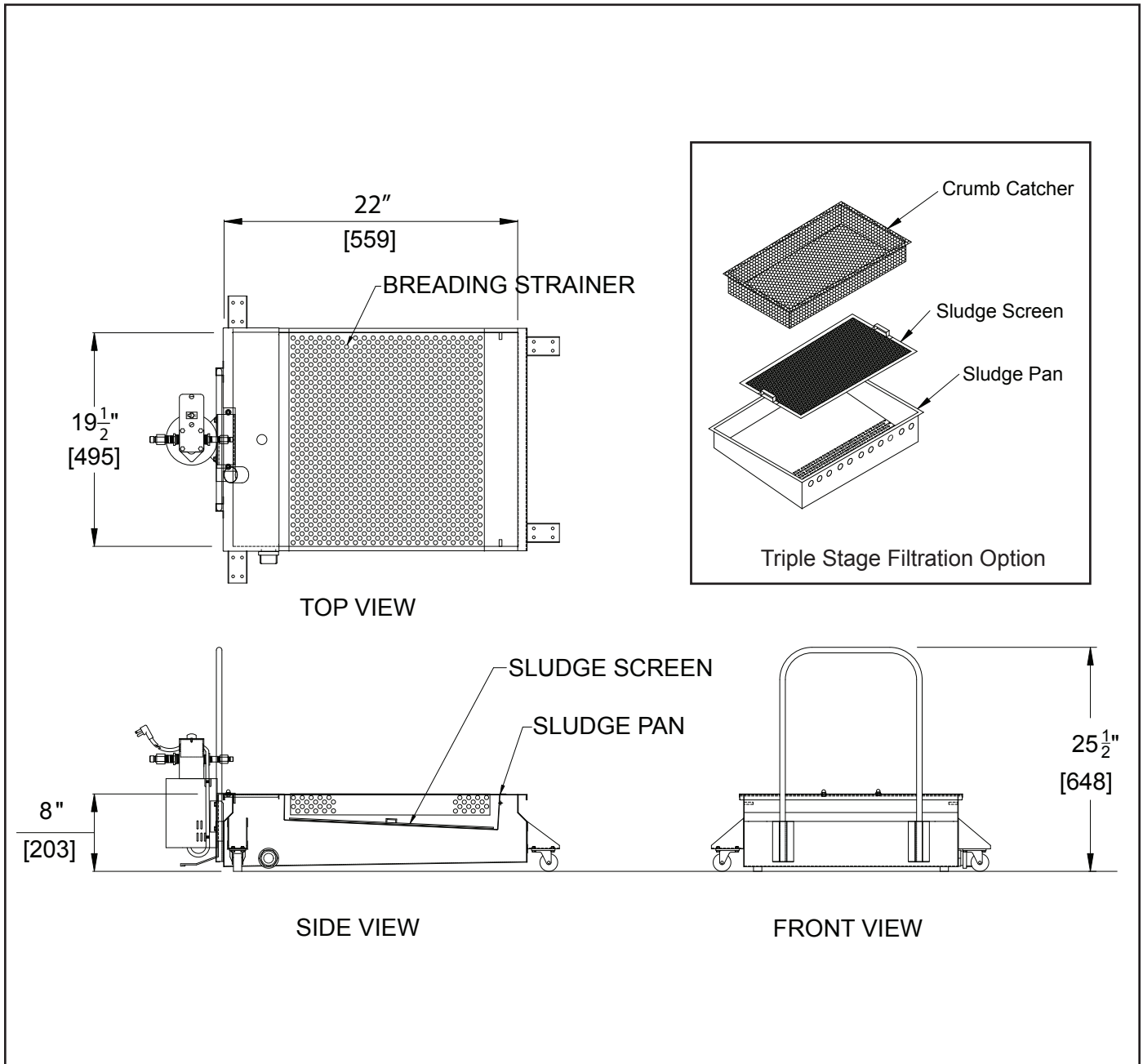
**Benefits:**

- **Fast Flow impregnated filter envelope for more efficient filtration**
- **All stainless steel construction**
- **1/3 HP / 7.6 GPM pump/motor**
- **Lightweight, easy to clean**
- **Wash hose and nozzle standard**
- **Stainless steel filter scraper**

**Specifications**

Ultrafryer® Systems presents the Ultrafilter™ — the portable filtering machine line with the widest possible range of operator advantages. Advanced engineering allows maximum speed and efficiency for polishing shortening with the fast flow impregnated filter envelope for more efficient filtration and less tub cleaning.

**FM-99 Portable Filter Machine**



Dimensions - inches (mm)

Model No.	Fill Capacity	Overall Size			Net Weight	Shipping Info
		Height	Depth	Width		
FM-99	89 lbs. (50 liters)	25" (635 mm)	22" (558.8 mm)	19.5" (495.3 mm)	75 lbs. (34 kgs)	F.O.B. Factory San Antonio, Texas

Power Requirements:

**ELECTRICAL REQUIREMENTS**  
 120 V, 60 HZ, 1 phase,  
 3 prong grounded plug,  
 8" cord

Notes:

- **Removable handle for easy storage under fryer**
  - **6' wash hose with nozzle**
  - **15" suction line hose**
  - **casters**
- OPTIONS:**
- **Permanent S/S Filter Screen**
  - **Fast Flow Filter Pad**
  - **Triple Stage Filtration**
  - **Boil-out Drain Valve**

Due to continuing engineering development and improvements, specifications are subject to change without notice.  
 © January 24, 2010 Ultrafryer Systems, Inc.